

# Euro Frameless Sliding Shower Screen



## Installation Instructions



Frameless  
Reversible  
Chrome Fittings  
8mm Clear Safety  
Glass  
Can be installed  
on shower base  
or tiled floor

Front Only  
Available sizes:

To suit 1200 x 900mm Base  
Front width adjusts: 1150 – 1170mm  
Screen height: 2000mm  
I/N: 4890313

To suit 1500 x 900mm Base  
Front width adjusts: 1450 – 1470mm  
Screen height: 2000mm  
I/N: 4890580

### **IMPORTANT TO READ BEFORE INSTALLING**

Please inspect this product for damage, manufacturing fault or missing parts prior to commencing the process of installation, no warranty will be applied after installation has begun.

Prior to installation, please ensure there are no pipes or cables hidden in the wall where you intend to drill.

All of our Shower Screens must be handled with extreme care as glass is fragile and can shatter if handled incorrectly. Glass is not covered by warranty. You will notice through-out the installation process that the corners of any glass that is frameless or semi frameless have a protective cover. Please try to leave these protective covers on any panels that have them until after you have moved panels into position.

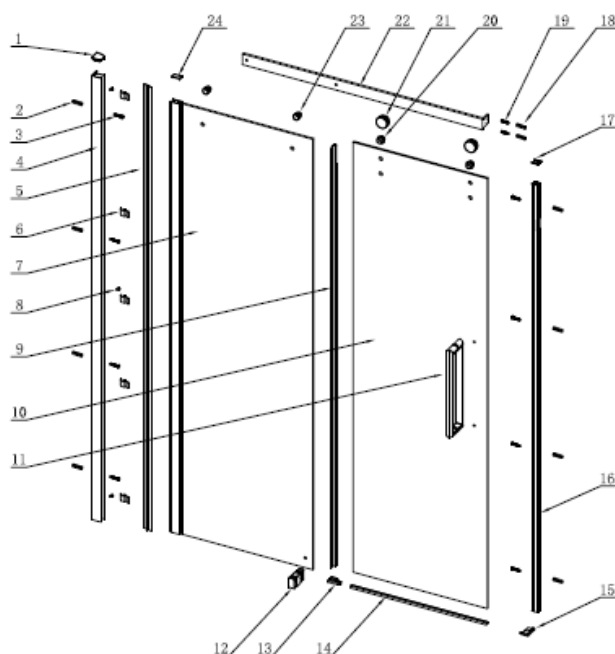
Throughout the entire installation process please ensure that the washers and grommets supplied are inserted correctly so that metal and glass do not make contact. Failure to do so will void warranty and may cause glass to break.

Flat packed DIY shower screens are heavy and may require two people to install.

Please refer to the supplied installation instructions to guide you through the installation process. Before you commence installation, refer to the Components List within the instructions along with the list of tools required to execute the installation.

We highly recommend that you cover the shower base area with a protective cloth through-out the installation process to avoid damage to your shower base.

## Components List



No.	Description	QTY	No.	Description	QTY
1	Wall Profile Top Cover Cap	2 (L & R)	15	Closing Post Foot Plate	2 (L&R)
2	Wall Plug	8	16	Closing Profile, includes Anti Bump Water Seal	1
3	ST4* Screw	8	17	Closing Profile Top Cap	1
4	Wall Profile	1	18	Big Wall Plug	2
5	Connection Profile	1	19	ST4*50 Screw	2
6	Clip for Wall Profile	5 (Installed onto wall profile)	20	Glass Locating Post	2
7	Front Fixed Panel	1	21	Big Sliding Wheel	2
8	ST4*12 Screw	3	22	Track	1
9	Moving Door Water Seal	1	23	Track Locating Post	2
10	Moving Door	1	24	Connection Profile Top Cover Cap	1
11	Handle	1			
12	Glide	1			
13	Footplate	2 (L&R)			
14	Bottom Metal Water Seal	1			

## Tools Required

Level  
Mallet  
Pencil  
Tape Measure  
Stanley Knife

Drill  
Silicone & Silicone gun  
Screw Driver  
Chisel  
Drill Bit 3.2mm & 6mm

**Step 1            Level and Measure**

- a. Place a cloth down to protect your base or shower area.
- b. Ensure that installation occurs with a level base or shower area.
- c. Measure and Mark your Base or Shower area by referring to your minimum and Maximum Measurements, ensuring that your selected screen will fit within the desired area. The Minimum and maximum measurement for this shower is as follows,

**Min and max Measurements**

**1200 x 900      Min 1150mm & Max 1170mm**

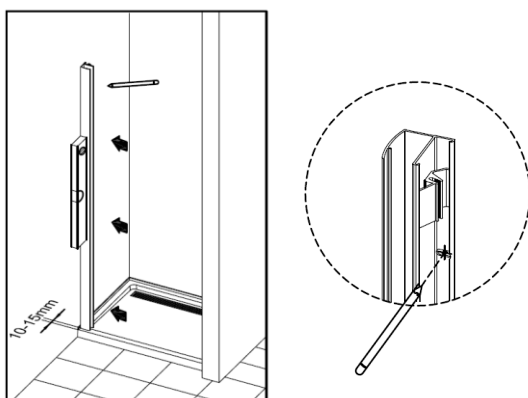
**1500 x 900      Min 1450mm & Max1470mm**

**NOTE: When using minimum measurement, make sure you allow for walls that are out of plumb. If your walls are leaning forward by 10mm, you must reduce your screen size area by this amount.**

**Step 2            Mark, Drill and Fix wall Profile**

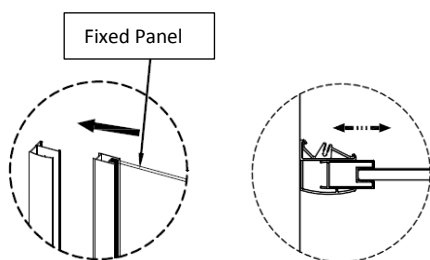
- a) Work out which way you require your door to slide open. The wall profile will be positioned to the opposite side of the handle on the door.
- b) With a level, position (Part 4) Wall profile against wall at desired measurement, within min and max measured area.
- c) With a pencil, mark the pre drilled holes inside of (Part4) Wall profile. Remove wall profile and drill 6mm hole. (Use a masonry drill bit if drilling into tiles).
- d) Insert (Part 2) Wall plugs provided
- e) With (part 3) Screws ST4\*30 provided, fix (part 4) Wall Profile to wall ensuring wall profile is level and fixed tightly.

**Note: Wall profile must be Level and set inside of tile flange of base or within min and max measurements.**



### Step 3 Positioning panels

- a) Insert (part7) fixed panel into (part4) wall profile.

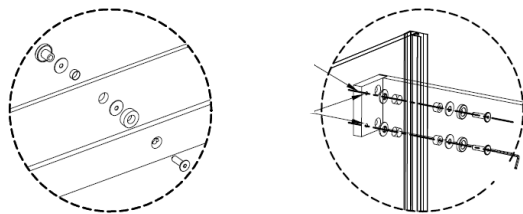


### Step 4 Attaching Track to front section

- a) Attach (Part 22) track to (part 7) fixed panel by inserting (part 23) track locating post.  
b) Insert screw into the middle of track on counter sunk hole side,  
c) then place metal washer on to screw,  
d) then place the plastic washer on to screw,  
e) then mount to glass hole  
f) placing plastic washer on other side of glass panel on screw,  
g) Fix the track locating post nut to screw on face of screen. Do not over tighten

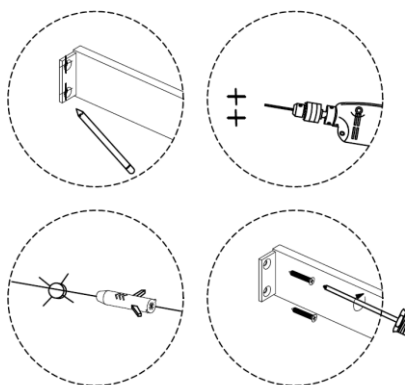
**Note: Ensure that the plastic washers are inserted correctly avoiding metal and glass making contact. Failure to do so will void your warranty and may cause glass to break.**

- h) Repeat process by fixing track to second hole using the (part 23) Track locating post and repeating steps stipulated 4b-4g AFTER STEP 5 IS COMPLETED



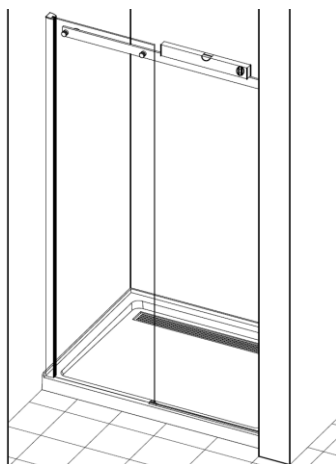
### Step 5 Attaching track to Wall

- Adjust Part 7 Fixed Panel in the wall profile to ensure the track is meeting the adjacent wall square & even. Ensure Part 22 Track is level and parallel to outside of tray or base, adjust if necessary.
- Using a pencil mark the wall through the holes in the Part 22 Track.
- Remove Part 22 Track.
- Drill holes where you have marked the wall with the pencil. Use a masonry drill bit if drilling into tiles.
- Insert Part 18 Wall Plugs. Replace Part 22 Track by repeating process in Step 4 a-h **Note: Ensure that the plastic washers are inserted correctly avoiding metal and glass making contact. Failure to do so will void your warranty and may cause glass to break.**
- Fix Part 22 Track tightly to the wall in the marked position using Part 19 ST4\*50 Screws
- Tighten all screws using Allan keys supplied



**Step 6 Level**

- a. Ensure Part 22 Track is level.

**Step 7 Attaching Big Sliding Wheel to Door**

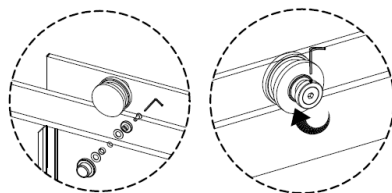
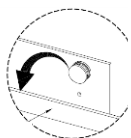
- a) Figure out the face of door and direction the door will close prior to mounting wheels

**Note: Door can only slide towards & away from the return panel.**

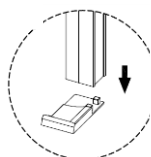
- b) Remove screw from (part 21) Big sliding wheel using Allan key supplied
- c) Attach (part 21) Big sliding wheel to the face of screen at the top holes in (part 10) Moving door.

**Note: Ensure that the plastic washers are inserted correctly avoiding metal and glass making contact. Failure to do so will void your warranty and may cause glass to break.**

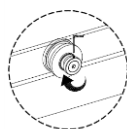
- d) To adjust the height of door. Turn the counter sunk offset height adjuster, which is located inside of door on big sliding wheel, left or right raising and lowering the height of door.

**Step 8 Positioning Door**

- a) Hang (part 10) Moving door on (part 22) Track
- b) Place Part 15 Closing Footplate to the bottom of the Part 16 Closing Profile



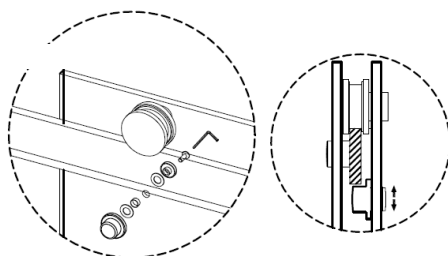
- c) Sliding carefully, close the moving door towards the wall and neatly attached to **Part 16 Closing Profile**.
- d) Holding **Part 16 Closing Profile** into position, open the door, remove the **Anti Bump Water Seal** from inside **Part 16 Closing Profile**, and use a pencil to mark the internal holes in **Part 16 Closing Profile**.
- e) Remove **Part 16 Closing Profile** & drill 6mm hole. Use a masonry drill bit if drilling into tiles.
- f) Insert **Part 2 Wall Plugs**. Screw **Part 16 Wall Profile** to the wall using **Part 3 ST4\*30** Screws.
- g) With Hand Pressure replace the Anti Bump Water Seal into the **Part 16 Wall Profile**.
- h) Close the door. Check the door and **Part 16 Closing Profile** is even vertically, adjust if necessary using the counter sunk offset adjustor located on internal side of **Big sliding wheel (part 21)**



**Note: Ensure plastic washers are correctly inserted avoiding metal and glass making contact. Failure to do so will void your warranty and may cause glass to break.**

## Step 9 Attaching Water Seals and Glass Locating Post

- a) Using hand pressure, attach **(part 9) moving door water seal** to the rear of door as well the leading edge of fixed panel.
- b) Connect **(part 20) glass locating post** to the holes in moving door, directly underneath big sliding wheels. Do not allow Glass locating post to make contact with track or door will not run smoothly. **Note: Ensure plastic washers are correctly inserted avoiding metal and glass making contact. Failure to do so will void your warranty and may cause glass to break.**

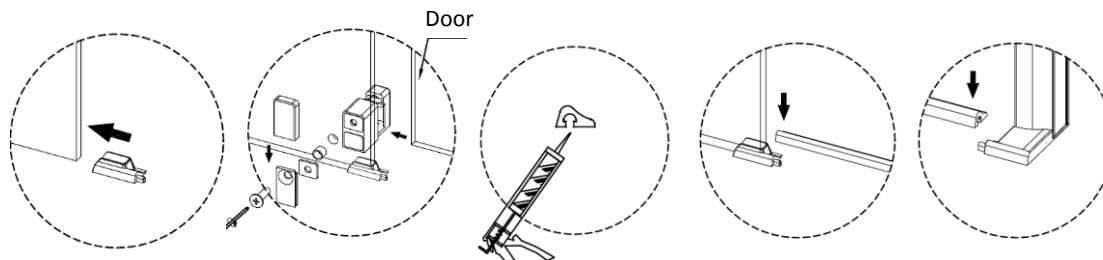


## Step 10 Attaching Glide and Bottom Water Seal

- a. Attach **(part 13 Footplate)** to bottom of fixed panel
- b. Disassemble & connect **Part 12 Glide** through the hole at the bottom of the fixed panel **Note: Ensure plastic washers are correctly inserted avoiding metal and glass**

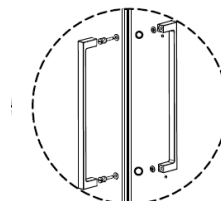
making contact. Failure to do so will void your warranty and may cause glass to break.

- c. Apply silicone underneath (part 14) bottom metal water seal. Insert (part 14) bottom metal water seal into (part 13) Footplate and Part 15 Closing Footplate. Secure into position on tray or base.
- d. Wipe away any excess silicone.



### Step 11 Attaching Handle

- a) Separate (part 11) handle using supplied Allan Key
- b) Insert screws through plastic washer, then through glass,
- c) Add the plastic washer, screw into handle.
- d) Tighten screws & attach the opposing handle with supplied Allan Key

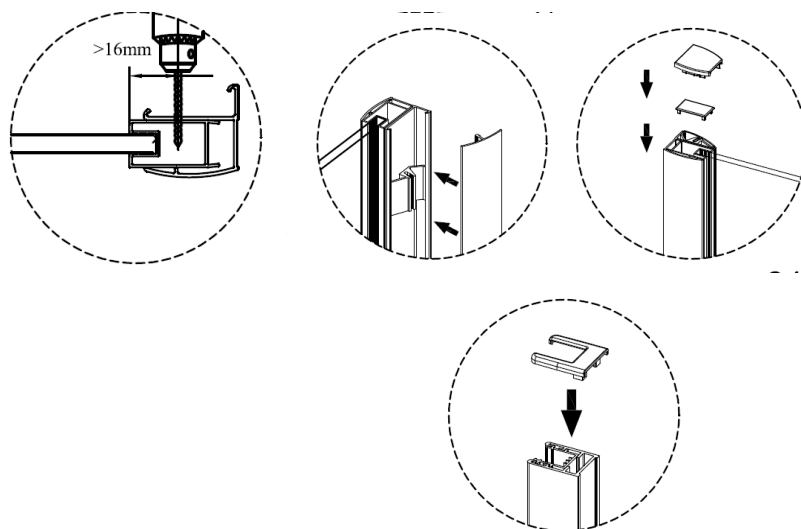


**Note:** Ensure plastic washers are correctly inserted avoiding metal and glass making contact. Failure to do so will void your warranty and may cause glass to break



**Step 12 Adjusting and fixing off**

- a. Ensure screen is level and square. Adjusting if required.
- b. Fix (Part 7) front panel to (Part 4) wall profile by drilling 4 equally spaced 3.3mm holes on the inside of screen and secure with screws provided (Part 16) St4\*12 screw.
- c. Attach (Part 5) connection profile to the inside of (Part 4) wall profiles with hand pressure.
- d. Attach (Parts 1 & 17) wall profile top cover cap & Closing Profile top cover cap to the top of both (Part 4) wall profile & (Part 16) Closing Profile.

**Step 13 Sealing**

- a) Ensure screen is operating correctly. Adjust if necessary.
- b) Using recommended bathroom purpose silicone. Apply a fine bead of silicone vertically and horizontally on the outside perimeter of screen only, sealing your shower screen. This will prevent water from leaking out of screen and will allow water to effectively drain back towards outlet. Do not use shower for 24 hours allowing for silicone to set.

**Do not use silicone internal of screen. Doing so will void warranty.**

Rick McLean's Designer Shower Screens (Aust) Pty Ltd

Trading as Rick McLean's Designer Bathware

#### WARRANTY

##### - Measured & Installed Products

Rick McLean's Designer Bathware will provide a 2 year Service Warranty on installation and componentry of measured & fitted Shower Screens, Mirrors & Sliding Robe Doors. Cracked, smashed or broken Glass, Splashbacks and Mirrors are NOT included. Warranty does not cover glass. Replacement glass is covered by the customer's house & contents insurance policy (if applicable) or at the customer's own expense.

##### - Supply Only Products

Rick McLean's Designer Bathware will supply a replacement product where faulty manufacture or faulty materials exists, only in accordance with correct installation procedure.

This warranty DOES NOT apply to other defects which may have arisen as a result of; accidental damage, misuse, abuse, maltreatment, wear & tear, incomplete return, abnormal stress or neglect of any kind.

This warranty DOES NOT include REMOVAL AND/OR INSTALLATION COSTS and any other associated expenses incurred, including those costs incurred from third party.

It is the responsibility of the recipient to inspect the product/s once received to ensure no transit damage has occurred, and/or missing parts or manufacturing faults are applicable.

Plumbing and Bathware products must be installed by a licensed plumber. Failure to do so will immediately void warranty.

Failure due to other causes, including the use of other than recommended installation procedures, may also void warranty.

Please ensure that plumbing and bathware products are installed in accordance with local by-laws.

Please ensure glass and fragile products are handled with care. Avoid knocks & shock to all sides of packaging when transporting.

Freestanding Baths are not designed to be installed hard up against bathroom walls. The sides of the baths taper, even if they appear to be straight edged. Installing freestanding baths up against tiled walls or recessing baths into walls and tiling down onto them is at the client's own discretion. This is not in accordance with correct installation procedure and will void warranty.

Sizes, Prices and Stock Availability of products are subject to change without notice.

#### Warranty does not cover glass.

Broken Glass or missing parts will not be replaced under warranty if the Shower Screen is in the process of being installed.

The safety glass featured in all Shower Screens cannot be cut, trimmed or altered in any way.

Manufactured sizes of Shower Screens, Shower Bases & Baths are nominal. Actual sizes may vary during manufacturing.

##### - How to make a claim for Credit or Exchange of Goods for Supply Only Products

Rick McLean's Designer Bathware will credit or exchange goods within 14 working days from time of purchase.

The customer will be deemed to have accepted the goods as being in accordance with its order unless it notifies Rick McLean's Designer Bathware of its claim within 14 days of receipt of the goods.

All returned goods will incur a 25% restocking fee on the total cost of goods.

The following conditions must be met however in order to accept returned goods:

- We have received prior notification by advising our office on 03 9331 6660 or in person
- Original tax invoice must be supplied
- Goods must still be in original condition
- Goods must still be in original packaging
- Customer is responsible for arranging return of goods and all transportation costs involved
- In the circumstance that a credit is issued, we will hold a credit for 30 days

Any goods authorised for return shall be returned at the customer's expense