

Euro Frameless Sliding Shower Screen



Installation Instructions

Frameless
Reversible
Chrome Fittings
8mm Clear Safety
Glass
Can be installed
on shower base
or tiled floor



Front Only
Available sizes:

To suit 1200 x 900mm Base
Front width adjusts: 1150 – 1170mm
Screen height: 2000mm
I/N: 4890313

To suit 1500 x 900mm Base
Front width adjusts: 1450 – 1470mm
Screen height: 2000mm
I/N: 4890580

IMPORTANT TO READ BEFORE INSTALLING

Please inspect this product for damage, manufacturing fault or missing parts prior to commencing the process of installation, no warranty will be applied after installation has begun.

Prior to installation, please ensure there are no pipes or cables hidden in the wall where you intend to drill.

All of our Shower Screens must be handled with extreme care as glass is fragile and can shatter if handled incorrectly. Glass is not covered by warranty. You will notice through-out the installation process that the corners of any glass that is frameless or semi frameless have a protective cover. Please try to leave these protective covers on any panels that have them until after you have moved panels into position.

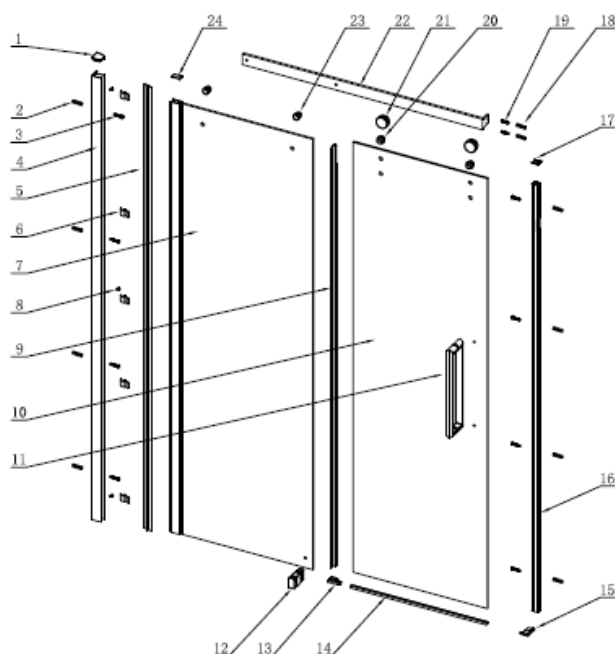
Throughout the entire installation process please ensure that the washers and grommets supplied are inserted correctly so that metal and glass do not make contact. Failure to do so will void warranty and may cause glass to break.

Flat packed DIY shower screens are heavy and may require two people to install.

Please refer to the supplied installation instructions to guide you through the installation process. Before you commence installation, refer to the Components List within the instructions along with the list of tools required to execute the installation.

We highly recommend that you cover the shower base area with a protective cloth through-out the installation process to avoid damage to your shower base.

Components List



No.	Description	QTY	No.	Description	QTY
1	Wall Profile Top Cover Cap	2 (L & R)	15	Closing Post Foot Plate	2 (L&R)
2	Wall Plug	8	16	Closing Profile, includes Anti Bump Water Seal	1
3	ST4* Screw	8	17	Closing Profile Top Cap	1
4	Wall Profile	1	18	Big Wall Plug	2
5	Connection Profile	1	19	ST4*50 Screw	2
6	Clip for Wall Profile	5 (Installed onto wall profile)	20	Glass Locating Post	2
7	Front Fixed Panel	1	21	Big Sliding Wheel	2
8	ST4*12 Screw	3	22	Track	1
9	Moving Door Water Seal	1	23	Track Locating Post	2
10	Moving Door	1	24	Connection Profile Top Cover Cap	1
11	Handle	1			
12	Glide	1			
13	Footplate	2 (L&R)			
14	Bottom Metal Water Seal	1			

Tools Required

Level
Mallet
Pencil
Tape Measure
Stanley Knife

Drill
Silicone & Silicone gun
Screw Driver
Chisel
Drill Bit 3.2mm & 6mm

Step 1 Level and Measure

- a. Place a cloth down to protect your base or shower area.
- b. Ensure that installation occurs with a level base or shower area.
- c. Measure and Mark your Base or Shower area by referring to your minimum and Maximum Measurements, ensuring that your selected screen will fit within the desired area. The Minimum and maximum measurement for this shower is as follows,

Min and max Measurements

1200 x 900 Min 1150mm & Max 1170mm

1500 x 900 Min 1450mm & Max1470mm

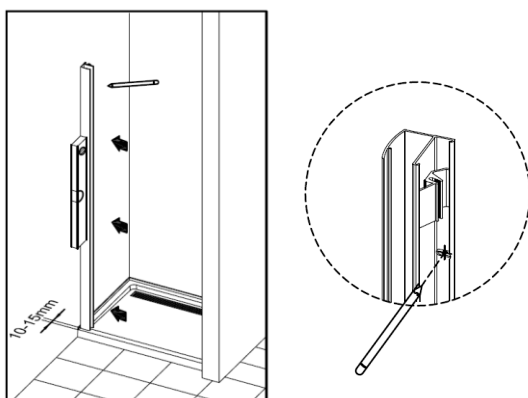
NOTE: When using minimum measurement, make sure you allow for walls that are out of plumb. If your walls are leaning forward by 10mm, you must reduce your screen size area by this amount.

*****This screen is designed to suit a shower base OR tiled floor*****

Step 2 Mark, Drill and Fix wall Profile

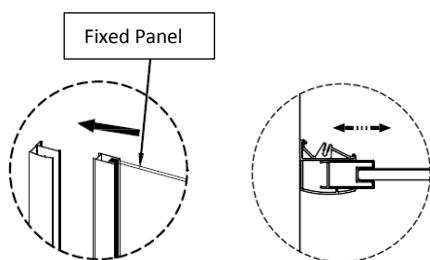
- a) Work out which way you require your door to slide open. The wall profile will be positioned to the opposite side of the handle on the door.
- b) With a level, position (Part 4) Wall profile against wall at desired measurement, within min and max measured area.
- c) With a pencil, mark the pre drilled holes inside of (Part4) Wall profile. Remove wall profile and drill 6mm hole. (Use a masonry drill bit if drilling into tiles).
- d) Insert (Part 2) Wall plugs provided
- e) With (part 3) Screws ST4*30 provided, fix (part 4) Wall Profile to wall ensuring wall profile is level and fixed tightly.

Note: Wall profile must be Level and set inside of tile flange of base or within min and max measurements.



Step 3 Positioning panels

- a) Insert (part7) fixed panel into (part4) wall profile.

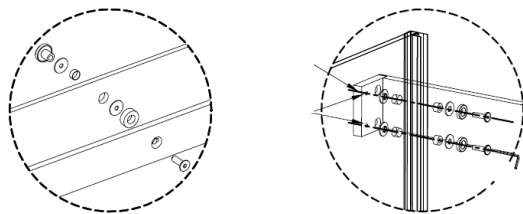


Step 4 Attaching Track to front section

- a) Attach (Part 22) track to (part 7) fixed panel by inserting (part 23) track locating post.
b) Insert screw into the middle of track on counter sunk hole side,
c) then place metal washer on to screw,
d) then place the plastic washer on to screw,
e) then mount to glass hole
f) placing plastic washer on other side of glass panel on screw,
g) Fix the track locating post nut to screw on face of screen. Do not over tighten

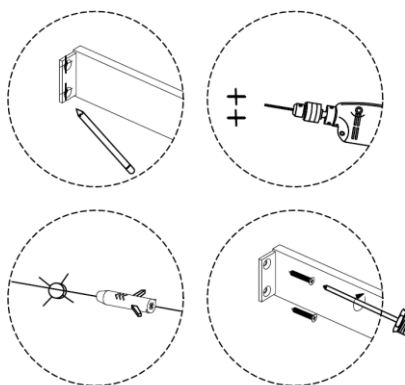
Note: Ensure that the plastic washers are inserted correctly avoiding metal and glass making contact. Failure to do so will void your warranty and may cause glass to break.

- h) Repeat process by fixing track to second hole using the (part 23) Track locating post and repeating steps stipulated 4b-4g AFTER STEP 5 IS COMPLETED



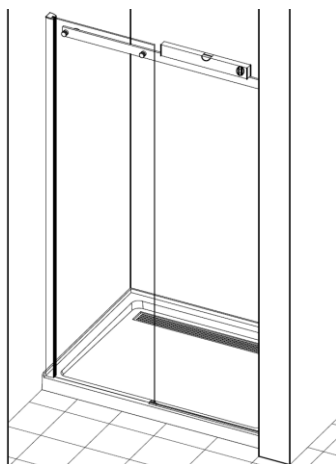
Step 5 Attaching track to Wall

- Adjust Part 7 Fixed Panel in the wall profile to ensure the track is meeting the adjacent wall square & even. Ensure Part 22 Track is level and parallel to outside of tray or base, adjust if necessary.
- Using a pencil mark the wall through the holes in the Part 22 Track.
- Remove Part 22 Track.
- Drill holes where you have marked the wall with the pencil. Use a masonry drill bit if drilling into tiles.
- Insert Part 18 Wall Plugs. Replace Part 22 Track by repeating process in Step 4 a-h **Note: Ensure that the plastic washers are inserted correctly avoiding metal and glass making contact. Failure to do so will void your warranty and may cause glass to break.**
- Fix Part 22 Track tightly to the wall in the marked position using Part 19 ST4*50 Screws
- Tighten all screws using Allan keys supplied



Step 6 Level

- a. Ensure Part 22 Track is level.

**Step 7 Attaching Big Sliding Wheel to Door**

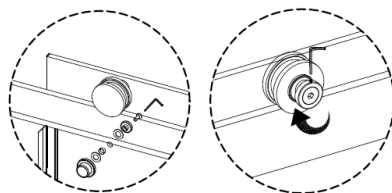
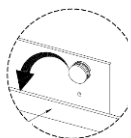
- a) Figure out the face of door and direction the door will close prior to mounting wheels

Note: Door can only slide towards & away from the return panel.

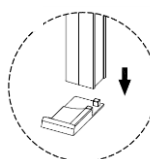
- b) Remove screw from (part 21) Big sliding wheel using Allan key supplied
- c) Attach (part 21) Big sliding wheel to the face of screen at the top holes in (part 10) Moving door.

Note: Ensure that the plastic washers are inserted correctly avoiding metal and glass making contact. Failure to do so will void your warranty and may cause glass to break.

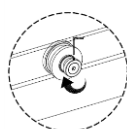
- d) To adjust the height of door. Turn the counter sunk offset height adjuster, which is located inside of door on big sliding wheel, left or right raising and lowering the height of door.

**Step 8 Positioning Door**

- a) Hang (part 10) Moving door on (part 22) Track
- b) Place Part 15 Closing Footplate to the bottom of the Part 16 Closing Profile



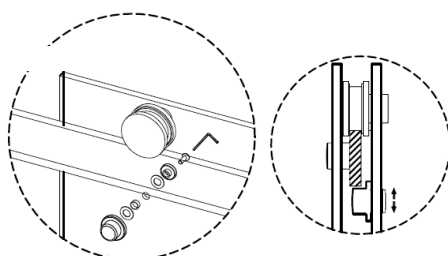
- c) Sliding carefully, close the moving door towards the wall and neatly attached to **Part 16 Closing Profile**.
- d) Holding **Part 16 Closing Profile** into position, open the door, remove the **Anti Bump Water Seal** from inside **Part 16 Closing Profile**, and use a pencil to mark the internal holes in **Part 16 Closing Profile**.
- e) Remove **Part 16 Closing Profile** & drill 6mm hole. Use a masonry drill bit if drilling into tiles.
- f) Insert **Part 2 Wall Plugs**. Screw **Part 16 Wall Profile** to the wall using **Part 3 ST4*30** Screws.
- g) With Hand Pressure replace the Anti Bump Water Seal into the **Part 16 Wall Profile**.
- h) Close the door. Check the door and **Part 16 Closing Profile** is even vertically, adjust if necessary using the counter sunk offset adjustor located on internal side of **Big sliding wheel (part 21)**



Note: Ensure plastic washers are correctly inserted avoiding metal and glass making contact. Failure to do so will void your warranty and may cause glass to break.

Step 9 Attaching Water Seals and Glass Locating Post

- a) Using hand pressure, attach **(part 9) moving door water seal** to the rear of door as well the leading edge of fixed panel.
- b) Connect **(part 20) glass locating post** to the holes in moving door, directly underneath big sliding wheels. Do not allow Glass locating post to make contact with track or door will not run smoothly. **Note: Ensure plastic washers are correctly inserted avoiding metal and glass making contact. Failure to do so will void your warranty and may cause glass to break.**

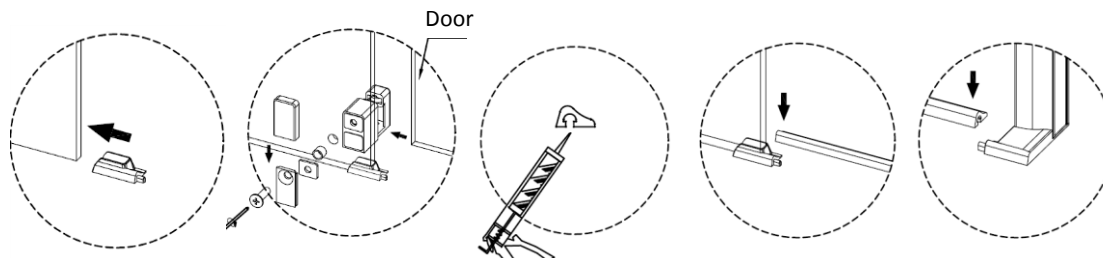


Step 10 Attaching Glide and Bottom Water Seal

- a. Attach **(part 13 Footplate)** to bottom of fixed panel
- b. Disassemble & connect **Part 12 Glide** through the hole at the bottom of the fixed panel **Note: Ensure plastic washers are correctly inserted avoiding metal and glass**

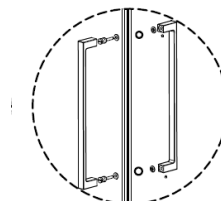
making contact. Failure to do so will void your warranty and may cause glass to break.

- c. Apply silicone underneath **(part 14) bottom metal water seal**. Insert **(part 14) bottom metal water seal** into **(part 13) Footplate** and **Part 15 Closing Footplate**. Secure into position on tray or base.
- d. Wipe away any excess silicone.



Step 11 Attaching Handle

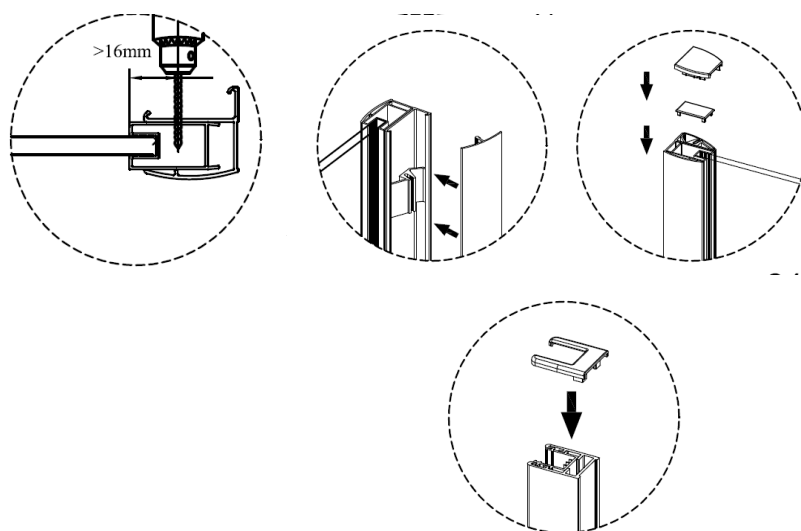
- a) Separate **(part 11) handle** using supplied Allan Key
- b) Insert screws through plastic washer, then through glass,
- c) Add the plastic washer, screw into handle.
- d) Tighten screws & attach the opposing handle with supplied Allan Key



Note: Ensure plastic washers are correctly inserted avoiding metal and glass making contact. Failure to do so will void your warranty and may cause glass to break

Step 12 Adjusting and fixing off

- a. Ensure screen is level and square. Adjusting if required.
- b. Fix (Part 7) front panel to (Part 4) wall profile by drilling 4 equally spaced 3.3mm holes on the inside of screen and secure with screws provided (Part 16) St4*12 screw.
- c. Attach (Part 5) connection profile to the inside of (Part 4) wall profiles with hand pressure.
- d. Attach (Parts 1 & 17) wall profile top cover cap & Closing Profile top cover cap to the top of both (Part 4) wall profile & (Part 16) Closing Profile.

**Step 13 Sealing**

- a) Ensure screen is operating correctly. Adjust if necessary.
- b) Using recommended bathroom purpose silicone. Apply a fine bead of silicone vertically and horizontally on the outside perimeter of screen only, sealing your shower screen. This will prevent water from leaking out of screen and will allow water to effectively drain back towards outlet. Do not use shower for 24 hours allowing for silicone to set.

Do not use silicone internal of screen. Doing so will void warranty.

Rick McLean's Designer Shower Screens (Aust) Pty Ltd

Trading as Rick McLean's Designer Bathware

WARRANTY:

Any claim under this warranty must be made within 2 years of the date of purchase of the product.

To make a claim under the warranty, take the product with your proof of purchase to the store where you purchased the product or contact Rick McLean's Designer Bathware 03 1300 662 221.

Rick McLean's Designer Bathware plumbing products must be installed by a licensed/qualified plumber. Failure to do so will void warranty immediately. Certificate of Compliance from your plumber will be required for any warranty claim.

The warranty covers manufacturer defects in materials, workmanship and finish under normal use, it does not cover misuse, abuse, wear & tear or incomplete return of product. Glass is also excluded from warranty.

The warranty is given by

Rick McLean's Designer Showerscreens (Aust) P/L ABN 57 106 278 997

T/A Rick McLean's Designer Bathware

P. O. Box 232, Niddrie, VIC 3042

Ph; 1300 662 221, Fax 03 9331 6233, sales@rickmcleans.com.au

This warranty is provided in addition to other rights and remedies you have under law; Our goods come with guarantees which cannot be excluded under the Australian Consumer Law. You are entitled to replacement or refund for a major failure and to compensation for other reasonably foreseeable loss or damage. You are also entitled to have the goods repaired or replaced if the goods fail to be of acceptable quality and the failure does not amount to a major failure.

The warranty covers domestic use only and does not apply to commercial applications.