

Euro Frameless Sliding Shower Screen



Installation Instructions

- Frameless
- Reversible
- Chrome Fittings
- 8mm Clear Safety Glass
- Can be installed on shower base or tiled floor



Front & Return
Available sizes:

To suit 1200 x 900mm Base
Front width adjusts: 1150 – 1170mm
Return width adjusts: 850 – 870mm
Screen height: 2000mm
I/N: 4890313

To suit 1500 x 900mm Base
Front width adjusts: 1450 – 1470mm
Return width adjusts: 850 – 870mm
Screen height: 2000mm
I/N: 4890580

IMPORTANT TO READ BEFORE INSTALLING

Please inspect this product for damage, manufacturing fault or missing parts prior to commencing the process of installation, no warranty will be applied after installation has begun.

Prior to installation, please ensure there are no pipes or cables hidden in the wall where you intend to drill.

All of our Shower Screens must be handled with extreme care as glass is fragile and can shatter if handled incorrectly. Glass is not covered by warranty. You will notice through-out the installation process that the corners of any glass that is frameless or semi frameless have a protective cover. Please try to leave these protective covers on any panels that have them until after you have moved panels into position.

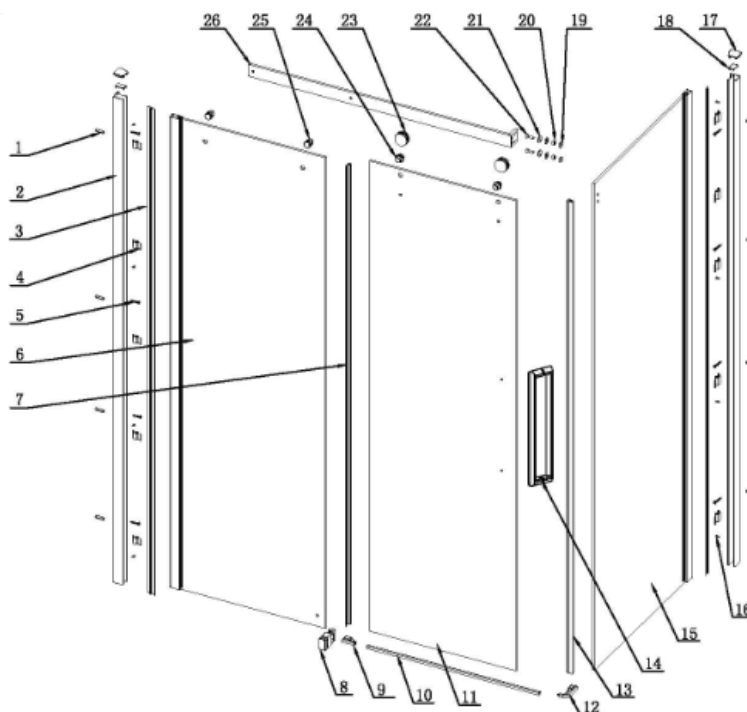
Throughout the entire installation process please ensure that the washers and grommets supplied are inserted correctly so that metal and glass do not make contact. Failure to do so will void warranty and may cause glass to break.

Flat packed DIY shower screens are heavy and may require two people to install.

Please refer to the supplied installation instructions to guide you through the installation process. Before you commence installation, refer to the Components List within the instructions along with the list of tools required to execute the installation.

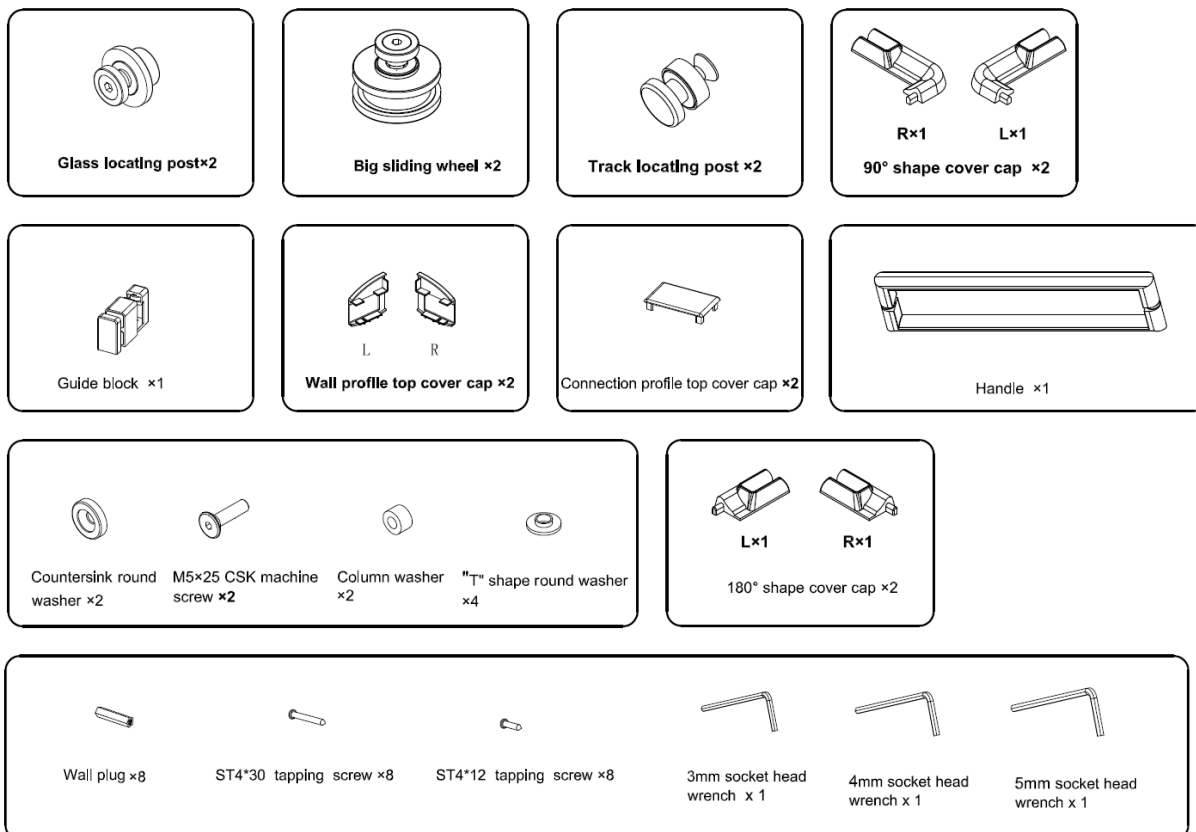
We highly recommend that you cover the shower base area with a protective cloth through-out the installation process to avoid damage to your shower base.

Components List



No.	Description	QTY	No.	Description	QTY
1	Wall Plug	8	15	Side Panel	1
2	Wall Profile	2	16	ST4*12 Screw	8
3	Connection Profile	2	17	Wall Profile Top Cover Cap	1 x LH & 1 x RH
4	Plastic Clip	10 (Installed onto wall profile)	18	Connection Profile Top Cover Cap	2
5	ST4*30 Screw	8	19	"T" Shape Round Washer	4
6	Fixed Front Panel	1	20	Column Washer	2
7	Moving Door Water Seal	1	21	Counter Sink Round Washer	2
8	Guide Block	1	22	M5x25 CSK Machine Screw	2
9	180 Degrees "R"Shape Cover Cap	1	23	Big Sliding Wheel	2
10	Bottom Metal Water Seal	1	24	Glass Locating Post	2
11	Moving Door	1	25	Track Locating Post	2
12	90 Degrees "R"Shape Cover Cap	1	26	Track	1
13	Anti-Bump Corner Profile	1			
14	Handle	1			

Components List and Tools Required



Tools Required

- Level
- Drill
- Mallet
- Silicone
- Silicone gun
- Pencil
- Screw driver
- Tape measure
- Chisel
- Stanley Knife
- Drill bit 3.2mm & 6mm

Step 1 Level and Measure

- a) Place a cloth down to protect your base or shower area.
- b) Ensure that installation occurs with a level base or shower area.
- c) Measure and Mark your Base or Shower area by referring to your minimum and Maximum Measurements, ensuring that your selected screen will fit within the desired area. The Minimum and maximum measurement for this shower is as follows,

Min and max Measurements**1200 x 900****Front section Min 1150mm & Max 1170mm****Side section Min 850mm & Max 870mm****1500 x 900****Front section Min 1450mm & Max 1470mm****Side section Min 850mm & Max 870mm**

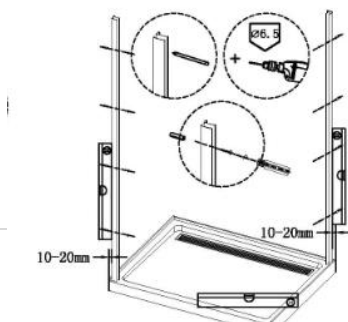
NOTE: When using minimum measurement, make sure you allow for walls that are out of plumb. If your walls are leaning forward by 10mm, you must reduce your screen size area by this amount.

*****This screen is designed to suit a shower base OR tiled floor*****

Step 2 Mark, Drill and Fix wall Profile

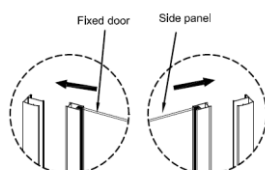
- a) With a level, position (Part 2) Wall profile against wall at desired measurement, within min and max measured area.
- b) With a pencil, mark the pre drilled holes inside of (Part2) Wall profile. Remove wall profile and drill 6mm hole. (Use a masonry drill bit if drilling into tiles).
- c) Insert (Part 1) Wall plugs provided
- d) With (part 5) Screws ST4*30 provided, fix (part 2) Wall Profile to wall ensuring wall profile is level and fixed tightly.

Note: Wall profile must be Level and set inside of tile flange of base or within min and max measurements.



Step 3 Positioning panels

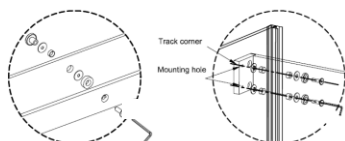
- Insert (part 15) side panel into (part2) wall profile
- Insert (part6) fixed front panel into (part2) wall profile.

**Step 4 Attaching Track to front section**

- Attach (Part 26) track to (part 6) fixed front panel by inserting (part 25) track locating post.
- Insert screw into the middle of track on counter sunk hole side,
- then place metal washer on to screw,
- then place the plastic washer on to screw,
- then mount to glass hole
- placing plastic washer on other side of glass panel on screw,
- Fix the track locating post nut to screw on face of screen. Do not over tighten

Note: Ensure that the plastic washers are inserted correctly avoiding metal and glass making contact. Failure to do so will void your warranty and may cause glass to break.

- Repeat process by fixing track to second hole using the (part 26) Track locating post and repeating steps stipulated 4b-4g

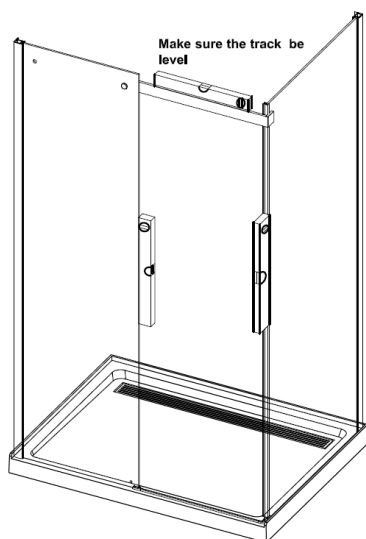
**Step 5 Attaching track to side panel**

- Insert (part 22) M5x25CSK machine screw into (part 21) Countersink round washer then into the (part 19) T shape round washer then into (part 20) Column washer
- Then place screw assembly through side panels holes in glass on internal side of screen adding (part 19) T shape round washer on outer side of glass screwing into (Part 26) Track.
- Repeat process with second mounting screw
- Tighten all screws using Allan keys supplied

Note: Ensure that the plastic washers are inserted correctly avoiding metal and glass making contact. Failure to do so will void your warranty and may cause glass to break.

Step 6 Adjustments

Adjust and Move panels in or out to suit your shower base or shower area, ensuring all sides and track are level and straight.



Step 7 Attaching Big Sliding Wheel to Door

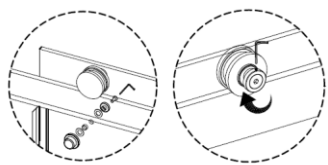
- a) Figure out the face of door and direction the door will close prior to mounting wheels

Note: Door can only slide towards & away from the return panel.

- b) Remove screw from (part 23) Big sliding wheel using Allan key supplied
c) Attach (part 23) Big sliding wheel to the face of screen at the top holes in (part 11) Moving door.

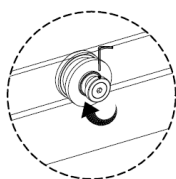
Note: Ensure that the plastic washers are inserted correctly avoiding metal and glass making contact. Failure to do so will void your warranty and may cause glass to break.

- d) To adjust the height of door. Turn the counter sunk offset height adjuster, which is located inside of door on big sliding wheel, left or right raising and lowering the height of door.



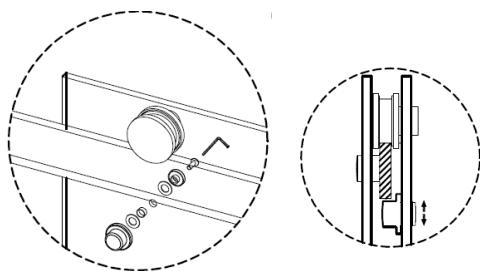
Step 8 Positioning Door

- a) Hang (part 11) Moving door on (part 26) Track
- b) With hand pressure attach (part 13) Anti Bump Corner profile to return panel and Cut to required height.
- c) Sliding carefully, close the moving door towards the return panel and check the moving door can enter (part 13) Anti-bump corner profile correctly.
- d) Adjust if necessary by moving (part 15) side panel forward or back meeting door correctly
- e) Check the gap between the door and return Panel is even vertically, adjust if necessary using the counter sunk offset adjustor located on internal side of Big sliding wheel (part 23) **Note: Ensure plastic washers are correctly inserted avoiding metal and glass making contact. Failure to do so will void your warranty and may cause glass to break.**



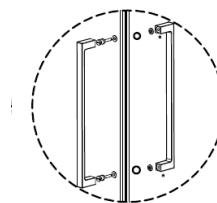
Step 9 Attaching water seals and Glass locating post

- a) Using hand pressure, attach (part 7) moving door water seal to the rear of door as well the leading edge of front fixed panel.
- b) Connect (part 24) glass locating post to the holes in moving door, directly underneath big sliding wheels. Do not allow Glass locating post to make contact with track or door will not run smoothly. **Note: Ensure plastic washers are correctly inserted avoiding metal and glass making contact. Failure to do so will void your warranty and may cause glass to break.**



Step 10 Attaching Handle

- Separate (part 14) handle using supplied Allan Key
- Insert screws through plastic washer
- then through glass,
- add the plastic washer
- Screw into handle.
- Tighten screws
- Attach the opposing handle with supplied Allan Key

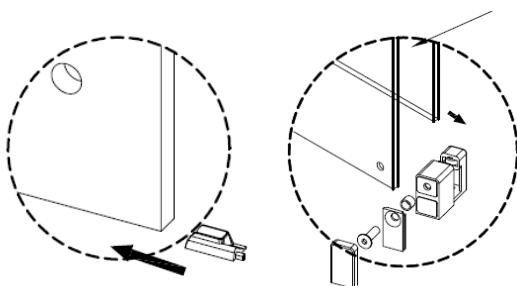


Note: Ensure plastic washers are correctly inserted avoiding metal and glass making contact. Failure to do so will void your warranty and may cause glass to break.

Step 11 Attaching Guide Block

- Attach (Part 9) 180 Degrees "R" Shape Cover Cap to Front Fixed Panel on the leading edge of the glass
- Disassemble (part 8) guide block
- Fix (part 8) guide block in to position at bottom of front fixed panel using screws supplied. **Note: Ensure plastic washers are correctly inserted avoiding metal and glass making contact. Failure to do so will void your warranty and may cause glass to break.**

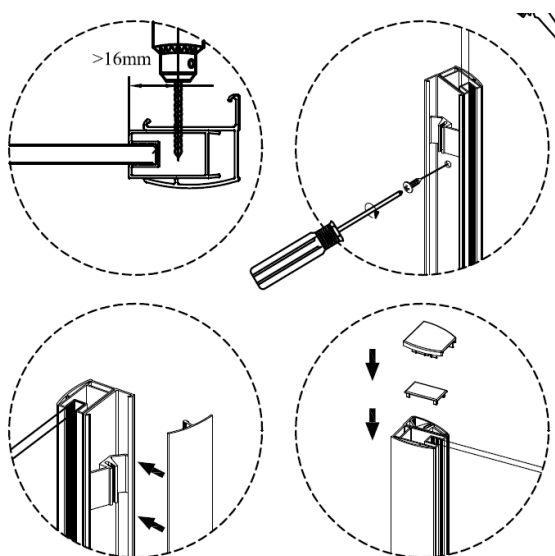
Moving Door



- d) Place (part 12) 90* R shape cover cap to bottom of return panel.
- e) Apply silicone underneath (part 10) bottom metal water seal.
- f) Insert (part 10) bottom metal water seal into (part 9) 180 Degrees "R" Shape Cover Cap and (part 12) 90* R shape cover cap securing into place onto base or tray.

Step 11 Adjusting and fixing off

- a) Ensure screen is level and square. Adjust and Move panels in or out to suit your shower base or shower area, ensuring all sides are level and straight.
- b) Fix (part 6) fixed front panel And (part 15) return panel to (Part 2) wall profiles by drilling 4 equally spaced 3.3mm holes on the inside of screen and secure with screws provided (part 16) St4*12 screw.
- c) Attach (part 3) connection profile to the inside of (part 2) wall profiles with hand pressure.
- d) Attach (parts 17 & 18) wall profile top cover cap & connection profile top cover cap to the top of both (part 2) wall profiles



Step 12 Sealing

- a) Ensure screen is operating correctly. Adjust if necessary.
- b) Using recommended bathroom purpose silicone. Apply a fine bead of silicone vertically and horizontally on the outside perimeter of screen only, sealing your shower screen. This will prevent water from leaking out of screen and will allow water to effectively drain back towards outlet. Do not use shower for 24 hours allowing for silicone to set.

Do not use silicone internal of screen. Doing so will void warranty.

Rick McLean's Designer Shower Screens (Aust) Pty Ltd

Trading as Rick McLean's Designer Bathware

WARRANTY:

Any claim under this warranty must be made within 2 years of the date of purchase of the product.

To make a claim under the warranty, take the product with your proof of purchase to the store where you purchased the product or contact Rick McLean's Designer Bathware 03 1300 662 221.

Rick McLean's Designer Bathware plumbing products must be installed by a licensed/qualified plumber. Failure to do so will void warranty immediately. Certificate of Compliance from your plumber will be required for any warranty claim.

The warranty covers manufacturer defects in materials, workmanship and finish under normal use, it does not cover misuse, abuse, wear & tear or incomplete return of product. Glass is also excluded from warranty.

The warranty is given by
Rick McLean's Designer Showerscreens (Aust) P/L ABN 57 106 278 997
T/A Rick McLean's Designer Bathware
P. O. Box 232, Niddrie, VIC 3042
Ph; 1300 662 221, Fax 03 9331 6233, sales@rickmcleans.com.au

This warranty is provided in addition to other rights and remedies you have under law; Our goods come with guarantees which cannot be excluded under the Australian Consumer Law. You are entitled to replacement or refund for a major failure and to compensation for other reasonably foreseeable loss or damage. You are also entitled to have the goods repaired or replaced if the goods fail to be of acceptable quality and the failure does not amount to a major failure.

The warranty covers domestic use only and does not apply to commercial applications.