

# Spacia Curved Shower Screen



## Installation Instructions

Available size  
1000mm x 1000mm Base, Screen height: 2000mm

Base entry height 70mm, overall height including lip 90mm

Wall Liner over-hangs the shower base to provide tolerance to account for variable depth of check in of shower base, but can be cut down by installer if preferred. Actual size of Wall Liner is 975mm x 975mm x 2000mm

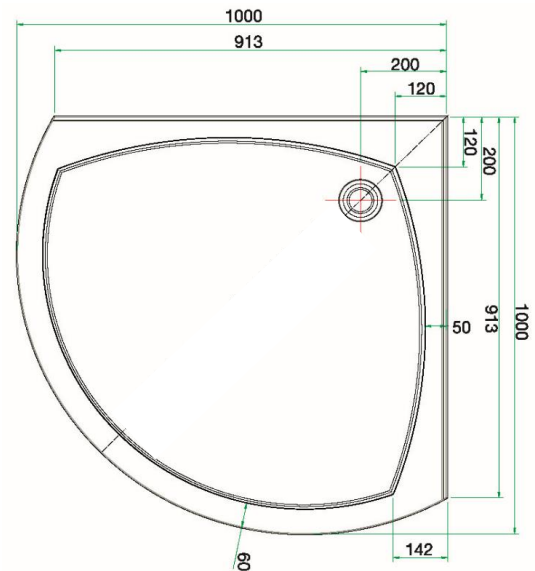
I/N: 4890215

Enclosure comprises of  
screen, wall & base

Chrome D Handles

6mm Clear Safety Glass

Magnetic Door Seals



### **IMPORTANT TO READ BEFORE INSTALLING**

Please inspect this product for damage, manufacturing fault or missing parts prior to commencing the process of installation, no warranty will be applied after installation has begun.

Prior to installation, please ensure there are no pipes or cables hidden in the wall where you intend to drill.

All of our Shower Screens must be handled with extreme care as glass is fragile and can shatter if handled incorrectly. Glass is not covered by warranty. You will notice through-out the installation process that the corners of any glass that is frameless or semi frameless have a protective cover. Please try to leave these protective covers on any panels that have them until after you have moved panels into position.

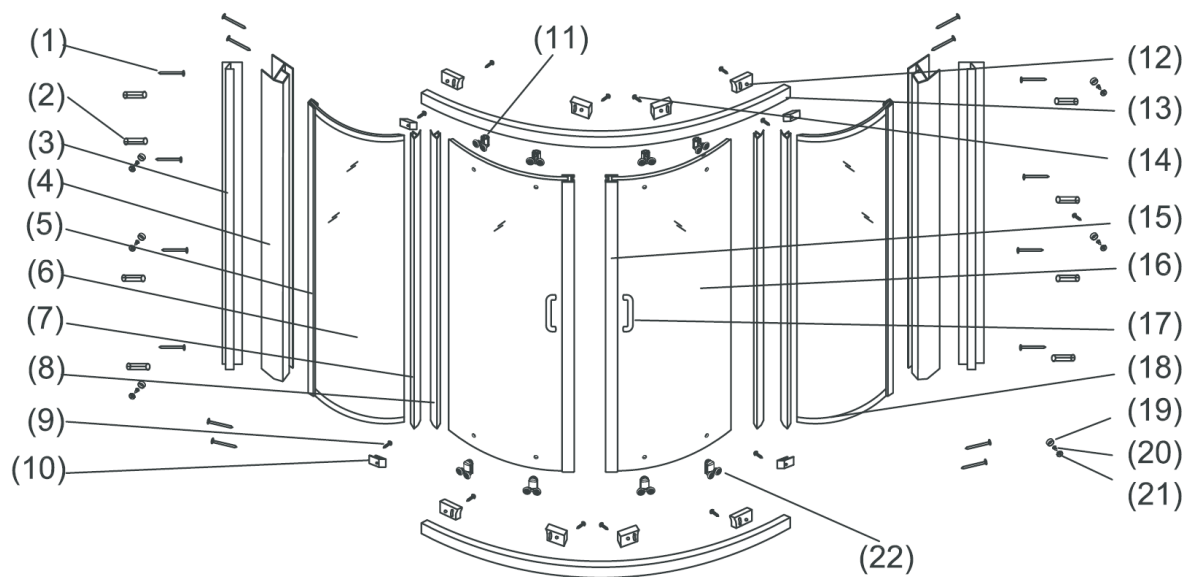
Throughout the entire installation process please ensure that the washers and grommets supplied are inserted correctly so that metal and glass do not make contact. Failure to do so will void warranty and may cause glass to break.

Flat packed DIY shower screens are heavy and may require two people to install.

Please refer to the supplied installation instructions to guide you through the installation process. Before you commence installation, refer to the Components List within the instructions along with the list of tools required to execute the installation.

We highly recommend that you cover the shower base area with a protective cloth through-out the installation process to avoid damage to your shower base.

## Components List



No	Description	QTY	No	Description	QTY
1	ST4*30 Screws	16	12	Glass Stoppers	8
2	Wall Plugs	8	13	Track	2
3	Wall Profiles	2	14	ST4*16 Screws	8
4	Connection Profiles	2	15	Magnetic Seal Profiles (Installed onto Doors)	2
5	Water Seals (Installed onto Fixed Panels)	2	16	Glass Doors	2
6	Glass Fixed Panels	2	17	Handles	2
7	Fixed Panel Water Seals	2	18	Water Seals	4
8	Door Water Seals	2	19	Screw Cover Cap	6
9	ST4*10 Round Screws	4	20	ST4*12 Screws	6
10	Glass Clips	4	21	Screw Washer	6
11	Top Roller	4	22	Bottom Roller	4

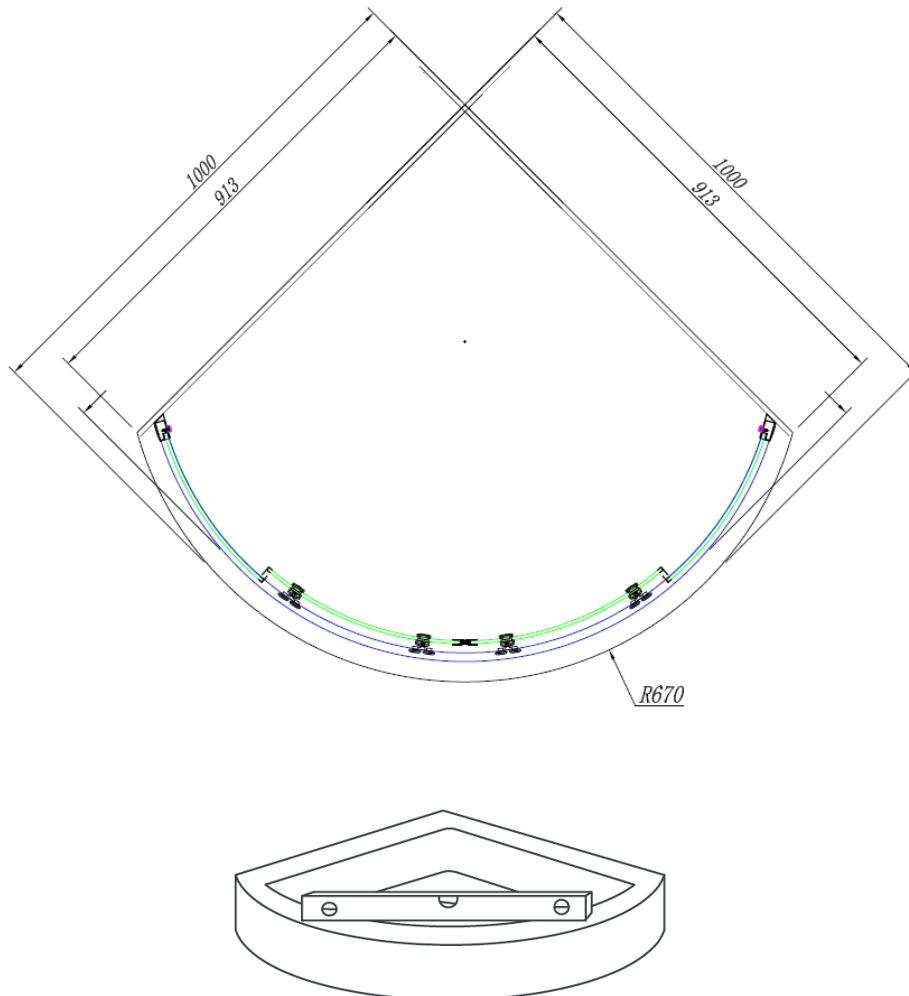
Note: Bag of lube included for rollers

## Tools Required

- Level
- Drill
- Mallet
- Silicone
- Silicone gun
- Pencil
- Screw driver
- Tape measure
- Chisel
- Stanley Knife
- Drill bit 3.2mm & 6mm

**Step 1 Level and Measure**

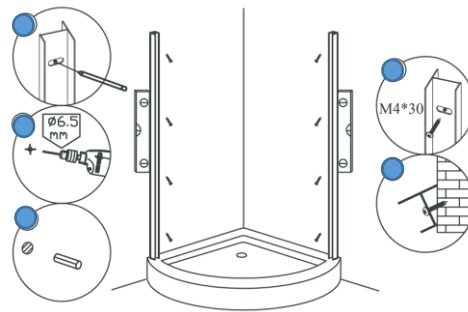
- a) Place a cloth down to protect your base or shower area.
- b) Ensure that installation occurs with a level base or shower area.

**NOTE:**

Make sure you allow for walls that are out of plumb. If your walls are leaning forward by 10mm, you must reduce your screen size area by this amount.

## Step 2 Mark, Drill and Fix Wall Profile

- With a level, position **(Part 3) Wall profile** against wall at desired measurement.
- With a pencil, mark the pre drilled holes inside of **(Part 3) Wall profile**. Remove wall profile and drill 6mm hole. (Use a masonry drill bit if drilling into tiles).
- Insert **(Part 2) Wall plugs** provided.
- With **(part 1) Screws ST4\*30** provided, fix **(part 3) Wall Profile** to wall ensuring wall profile is level and fixed tightly.



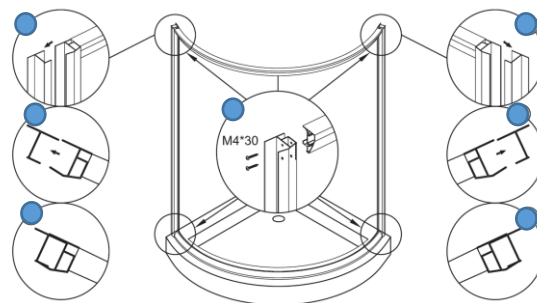
### Handy Hint.....

Before attaching your wall profiles, assemble top & bottom frame, along with fixed panels & then place on your base to confirm best finishing location. Mark walls where side aluminum meets, as this will give you accurate location for wall profile position.

Visit our website [www.rickmcleans.com.au](http://www.rickmcleans.com.au) to view installation video

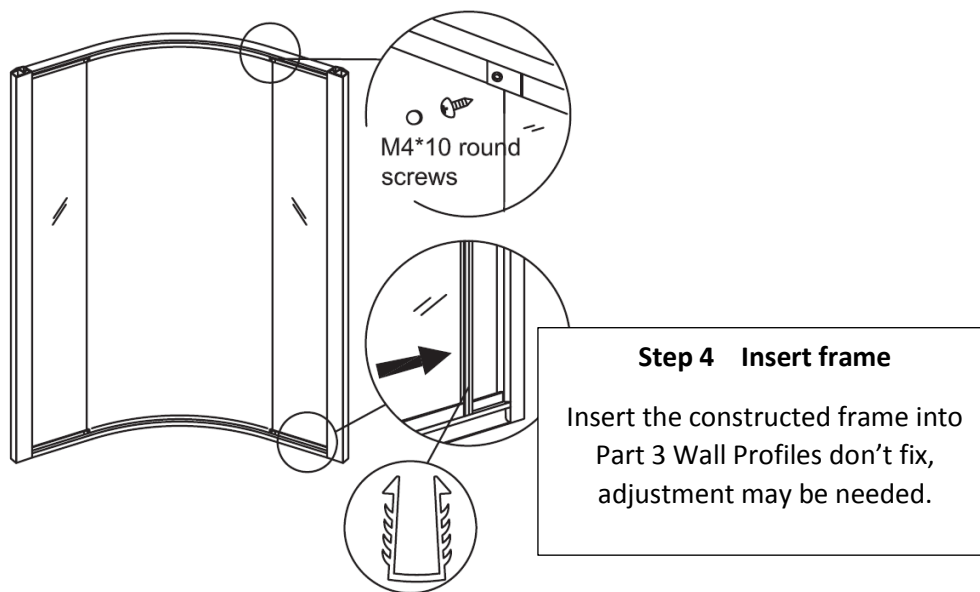
## Step 3 Construction of Frame

- Attach **Part 4 Connection Profile** either side to the top and bottom of both of the **Part 13 Tracks**. Using **Part ST4\*30 Screws** to tighten and make a frame.



- Place **Part 18 water seals** at the top and bottom of both **Part 6 fixed panels**, directly on the top edge of glass.
- Connect Part 6 fixed glass panels to Part 13 tracks using Parts 1 ST\*4x30 Screws supplied and fix tightly.**
- Repeat process with parallel track.

- e) Connect the second **Part 6 fixed panel** to both tracks using **Part 1 St\*4x30** Screw provided, fixing tightly.
- f) Insert the **Part 10 glass clips** to both top and bottom of glass edge on **Part 6 fixed panel** and fix using **Part 9 ST\*4x10** Screw.
- g) Place the **Part 19 cover cap** over the top of **Part 9 ST\*4x10** screw.

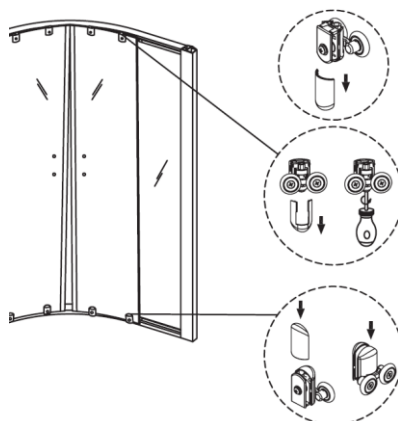


### Step 5 Assembly of Door Rollers

**Note:** You must work out which is top and bottom of both Door panels before applying rollers.

- a) Connect the adjustable **(Part 11) Top Rollers** in to the holes on top of **(Part 16) Glass door**.
- b) Connect **(Part 22)** spring loaded **Bottom Rollers** into the holes on bottom of **(Part 16) Glass door**.
- c) Hang **(Part 11) Top rollers** on the **(Part 13) Top track** internal of screen and depress the spring loaded **(Part 22) bottom rollers** under the **bottom track (Part 13)**.
- d) Repeat above steps 4a - 4c for the second door.

Please Note:  
Ensure that the plastic sleeves/washers are inserted correctly avoiding metal and glass making contact. Failure to do so will void your warranty and may cause glass to break.



**Note:** To adjust door, Remove roller cover and use Philips head screw driver. Turn visible screw left or right on top roller allowing the door to lift or lower. Ensure both doors are aligned. When one of the top rollers is adjusted to its maximum and the door still doesn't close squarely, stop adjusting roller to avoid damage and begin to adjust other rollers.

## Step 6 Attaching Water Seals

- Using hand pressure, Press on (Part 7) fixed panel water seals onto both (Part 6) Glass fixed panels.
- Using hand pressure Press on (Part 9) moving door water seals onto the rear of both Glass doors.

## Step 7 Attaching Handle

- Separate Part 17 handle from the knobs.
- Insert thread of knob through plastic washer then through glass, add the plastic sleeve then add other plastic washer and screw into handle.
- Tighten knob.
- Attach the opposite handle to second glass door. Repeating the process.

Please Note: Ensure that the plastic sleeves/washers are inserted correctly avoiding metal and glass making contact. Failure to do so will void your warranty and may cause glass to break.

## Step 8 Adjustment

Re-check levels and adjust screen accordingly. Move panels in or out to suit your shower base or shower area, ensuring all sides are level and straight.

## Step 9 Fixing off and Sealing

- When screen is level and square, Fix off the extrusions of (Part 6) fixed panels to the wall profiles (Part 3) by drilling 4 equally spaced 3.3mm holes on the inside of screen using ST4\*10 round screw supplied. **Note: Make sure that the holes go through the aluminum and not into glass, avoiding breakage.**
- Using recommended bathroom purpose silicone. Apply a fine bead of silicone vertically and horizontally on the outside perimeter of screen only, sealing your shower screen. This will prevent water from leaking out of screen and will allow water to effectively drain back towards outlet. Do not use shower for 24 hours allowing for silicone to set.

**Do not use silicone internal of screen. Doing so will void warranty.**

**WARRANTY:**

Any claim under this warranty must be made within 2 years of the date of purchase of the product.

To make a claim under the warranty, take the product with your proof of purchase to the store where you purchased the product or contact Rick McLean's Designer Bathware 03 1300 662 221.

Rick McLean's Designer Bathware plumbing products must be installed by a licensed/qualified plumber. Failure to do so will void warranty immediately. Certificate of Compliance from your plumber will be required for any warranty claim.

The warranty covers manufacturer defects in materials, workmanship and finish under normal use, it does not cover misuse, abuse, wear & tear or incomplete return of product. Glass is also excluded from warranty.

The warranty is given by

Rick McLean's Designer Showerscreens (Aust) P/L ABN 57 106 278 997

T/A Rick McLean's Designer Bathware

P. O. Box 232, Niddrie, VIC 3042

Ph; 1300 662 221, Fax 03 9331 6233, sales@rickmcleans.com.au

This warranty is provided in addition to other rights and remedies you have under law; Our goods come with guarantees which cannot be excluded under the Australian Consumer Law. You are entitled to replacement or refund for a major failure and to compensation for other reasonably foreseeable loss or damage. You are also entitled to have the goods repaired or replaced if the goods fail to be of acceptable quality and the failure does not amount to a major failure.

The warranty covers domestic use only and does not apply to commercial applications.